

## Sealed Dome Pushbuttons – Momentary Action, Attractive & Rugged for Wet & Dusty Environments

The P7-D pushbutton is a double break, momentary switch with a contoured dome style round or square pushbutton. Button versions include flush or raised round in glossy finish and raised square in matte finish. The P7-D features a shorter behind panel depth, dusttight and moistureproof sealed construction, and an excellent mechanical and electrical performance while operating under the most severe conditions. Its cycle life is one million operations at 1 amp resistive, 50,000 at full rated load of 5 amps resistive or 3 amps inductive.

The P7-D's positive tactile feedback signals the operator when the switch is operated. Multiple contact variations are available as well as a variety of special order button legends. The high contact pressure and unique contact design provides low contact resistance for low level switching capability as well as full rated service.

This quality precision snap-action switch is designed for use in instrument panels, grips, computers, heavy equipment and other applications where attractive rugged pushbutton switches are required.



### P7-D Key Features:

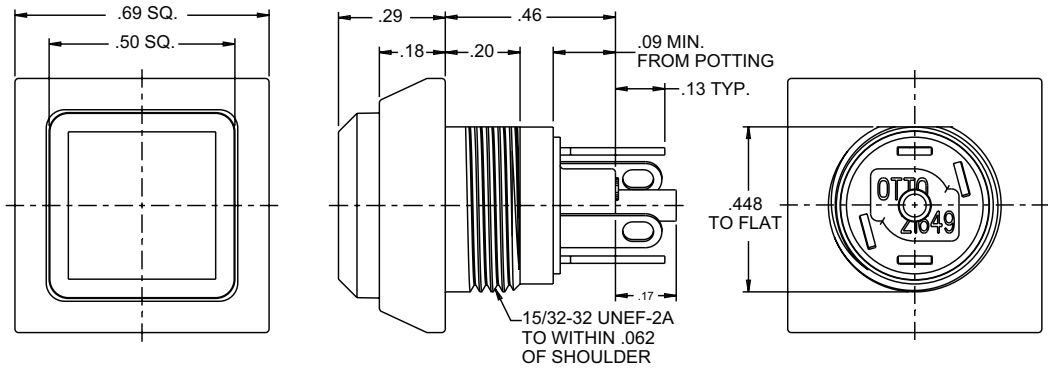
- Flush or raised round button in glossy finish and raised square button in matte finish available in a variety of colors
- Low level switching capability
- Less than 25mΩ contact resistance
- High contact pressure
- 6 circuit variations
- Positive tactile feedback
- Variety of mounting styles
- Constructed in accordance with MIL-PRF-8805/110 (no QPL)
- UL recognized & CSA certified
- Dusttight to IP64 & MIL-PRF-8805 Design 2, or watertight to IP68S
- RoHS/WEEE/Reach compliant



Standard Characteristics/Ratings:		
<b>ELECTRICAL RATINGS:</b>	Sea Level @ 28VDC or 115VAC, 60/400Hz	
<b>Load</b>	<b>N.O./N.C.</b>	<b>Life Cycles</b>
Resistive	1A	1,000,000
Resistive	5A	50,000
Inductive	3A	50,000
DWV	1050Vrms	
Low Level	10mA @ 30mV max	25,000
<b>Electrical Life:</b>	See Rating Chart	
<b>Mechanical Life:</b>	1,000,000 cycles	
<b>Seal:</b>	IP64, MIL-PRF-8805 Design 2, IP68S or MIL-PRF-8805 Design 3	
<b>Operating Temp Range:</b>	-55°C to +85°C	
<b>Operating Force:</b>	1.7 +/- 0.5 lb. (standard force)	
<b>Total Travel:</b>	0.080 inches max	
<b>MATERIALS:</b>		
<b>Case:</b>	Anodized aluminum alloy	
<b>Button:</b>	Thermoplastic	
<b>Contacts:</b>	Brass with gold over silver	
<b>Terminal Hardware:</b>	None provided	
<b>Mounting Hardware:</b>	Hex nut, lockwasher and panel seal on watertight versions	

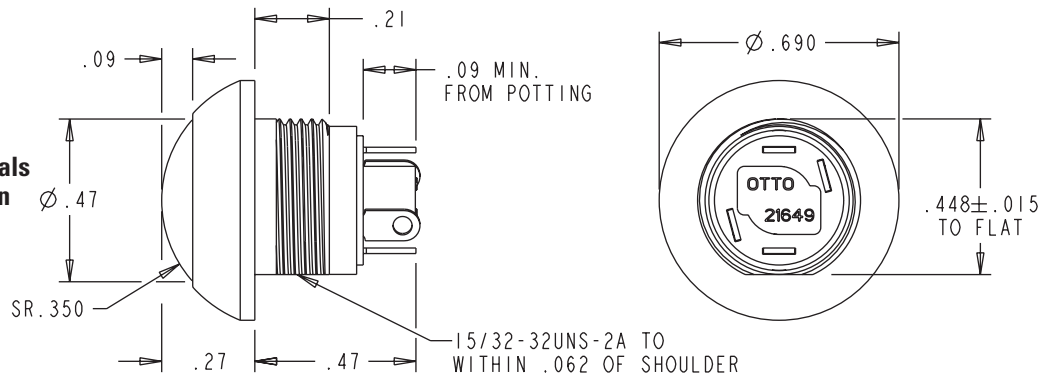
### P7-D5A Series

Commercial Grade  
Solder Terminals  
Square Button



### P7-DF1 Series

Military Grade  
Short Solder Terminals  
Round Flush Button



### P7-DR6 Series

Military Grade  
P.C. Pin Terminals  
Round Raised Button

